



Doosan Infracore Forklifts

Pneumatic Forklift Trucks

D50S / D60S / D70S-5

G50S / G60S / G70S-5

5,000kg to 7,500kg Capacity

PRO5
SERIES

PRO5
SERIES



G50S / G60S / G70S-5
5,000kg 6,000kg 7,000kg
Pneumatic Tire

D50S / D60S / D70S-5
5,000kg 6,000kg 7,000kg
Pneumatic Tire



PSC0703B1 (Mar.2007)

DOOSAN Doosan Infracore Forklifts

Head Office : 7-11, Hwasu-Dong, Dong-Gu, Incheon, Korea.
Tel : 82-32-211-5011 Fax : 82-32-211-5412
Seoul Office : 22nd floor, Doosan Tower Bldg, Euljiro 6-Ga
Jung-Gu, Seoul, Korea.
Tel : 82-2-3398-8633 Fax : 82-2-3398-8619
Web site : <http://iv.doosaninfracore.co.kr/eng>

AUTHORIZED DEALER

Product and specifications are subject to improvement and change without notice.

**Made to Order...
For Your Heavy Duty Operation !**

Doosans D60S Series has achieved an outstanding reputation for delivering power and performance in the toughest applications.



● Here's What You'll Get With This New Redesigned series :

- ✓ *Optimized Operator Comfort & Safety*
- ✓ *Proven and Durable Components*
- ✓ *High Powered and Fuel efficient Diesel and LPG Engine for High Performance*
- *Low emissions and Minimal Vibration*
- ✓ *Enhanced Maintenance and Serviceability*
- ✓ *Virtually Maintenance-free Oil cooled Disc Brakes(Optional)*
- ✓ *2 or 3 Speed Full Autoshift Transmission*
- ✓ *Lift, Tilt Locking, Pilot Operated Fatigue-less Hydraulic Control Valve and Levers*
- ✓ *OSS(Operator Sensing System)*
- ✓ *A Variety of Operator Friendly Features*

Our User Friendly Operator Compartment will Give Your Drivers Everything They Need.



To keep drivers running at peak efficiency we've made operator comfort a top priority

● Easy-To-Read integrated Instrument Panel

Engine coolant temperature, transmission oil temperature, engine RPM meter, fuel level gauge and hour meter keeps the driver aware of the machine's operating conditions. Engine oil pressure, alternator voltage, water separator gauge and pre-heater illuminates to alert operator to any problem.



● Convenience Package

Deck mounted control valve levers simplify hydraulic actuation convenience tray keeps paperwork and supplies organized and handy.



● High Visibility Overhead Guard and Front-end

Wider mast window, repositioned hydraulic hoses and flat bar style overhead guard optimizes operator sight lines forward, up and to the load.



● Auto tilt leveling (optional)

Easily returns the mast to upright vertical position with the simple push of a button.



● Deluxe Suspension Seat with OSS(Operator Sensing System)

A comfortable deluxe suspension seat with OSS(operator sensing system), a large seatback angle, longer seat travel length and operator's weight resistance on front side allow multiple adjustments for optimum seating comfort.



● Spacious Leg Room & Operator Comfort

The neat and wide-open floorboard provides operator with plenty of foot room. And makes entry and exit a breeze.



Minimized Maintenance, Easy Serviceability.



Doosan forklift trucks are designed with longevity in mind. A Doosan truck has specific design elements that enhance the reliability of its parts for decreased wear and tear and increased endurance. Count on the reliability of Doosan forklift trucks to allow you to concentrate on other aspects of your business besides material handling.

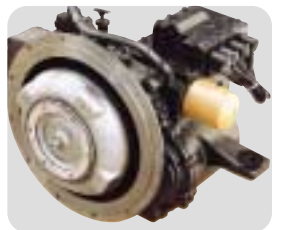
● Oil- Cooled Disc Brakes(ODB)-Optional

Oil cooled disc brakes are available as an option on all D60S series lift truck and are recommended for applications in humid, abrasive or corrosive environments, or with ramp, loading and unloading applications. This enclosed brake system eliminates outside contamination, significantly extends brake life and decreases maintenance cost. Oil cooled disc brakes have service intervals 5 times longer than conventional shoe brakes, and require little to no maintenance.



● Power reversal transmission

Top mounted control valve on the transmission precisely modulates clutch oil pressure for smooth forward / reverse directional changes. Large clutch packs and transmission design permits on-the-go shifting up to 5mph for increased productivity.



● Hydrostatic steering system

- No mechanical connections between steering wheel and steer axle for reduced maintenance.
- 8 grease zerks for proper lubrication.
- Sealed tapered roller bearings offer protection against contamination and in high impact applications.
- Provides low effort steering with quick steering response.



● Dual element air cleaner (standard)

Dual element air cleaner brings cool clean air into the engine intake system.



● Full floating drive axle

Strong one-piece cast housing keeps axle components aligned. High tensile strength alloy steel axle shafts are carbonized for extended life and splined to the differential side gear & drive wheel hub gears to effectively transmit high torque to the drive wheels.



● Integration of Electrical Components for Easy Maintenance

Fuse and relay box located in front of the engine for easy access and simplified maintenance.

● Dual LPG tank and Swing down type LPG cradle

Dual LPG tanks provide plenty of fuel to insure long running shift operations. A swing down LPG bracket simplifies tank installation and removal



A Hallmark of Durability and Reliability



Doosan's Goal is to Make Your Material Handling Organization as Efficient and Reliable as Possible. The Durability and Reliability of Our Forklifts Will Aid In Minimizing Down Time and Help Reduce Total Maintenance Cost.



● **Doosan Infracore DB58S**
(2speed : 69kW, 3speed : 74kW)

This powerful 6-cylinder 5.8L diesel engine delivers excellent power to meet the needs of the most of demanding applications. DB58S diesel engines comply with EPA Tier-2 emission regulations.



● **GM V6 4.3L (69 kW)**

The highly efficient and powerful GM 4.3L LP Gas engine has time-proven durability. Its low noise level and minimal vibration will add to operators comfort.

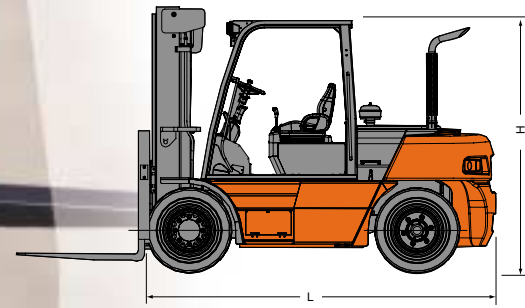
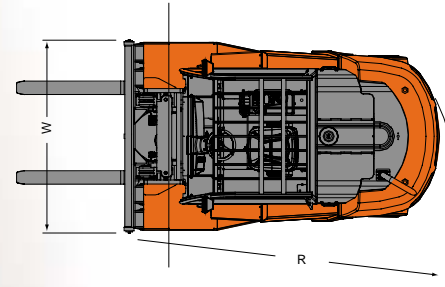


**Proven Quality,
Responsive Service and
A Reliable Partner....**

After sales servicing of Doosan forklifts is available from the selling dealership backed by Doosan's own customer service center. And Doosan provides 100% parts inventory to insure any downtime is minimized.

When you own a Doosan forklift, our high quality, responsive customer support team comes with it.

The Doosan network starts with your local dealer and ends with a national team of highly qualified and experienced personnel standing ready to support all your material handling needs.



■ **Option Availability**

Options	● : Standard ○ : Optional		
	D50/60/70S-5	D80/90S-5	G50/60/70S-5
Fuel Cap with Key	○	○	n/a
Precleaner	○	○	○
Vertical Exhaust Tube	●	●	○
Catalytic Muffler	○	○	○
Air conditioner	○	○	○
Non Marking Tire(Solid)	○	○	○
Spark Arrestor(w,w/o C/B)	○	○	n/a
Mono Pad Foot Direction and Acceleration Control	○	○	○
AutoShift-3Speed (Single,Dual Tire)	●	●	○
AutoShift-2Speed (Single,Dual Tire)	○	●	○
Engine Shutdown	○	○	○
Swingdown LP MTG	n/a	n/a	●
Lift and Tilt locking Hydraulic Control Valve	●	●	●
Auto Tilt Leveling	○	○	○
Hydraulic Accumulator	○	○	○
Integral fork mover	○	○	○
Integral Side shift and forkmover	○	○	○
Hook on Sideshifter	○	○	○
UL LPS,DS Rating	○	○	○

■ **Main Specification**

Sales Model		D50S-5	D60S-5	D70S-5
Rated Load Capacity	kg	5000	6000	7000
Load Center	mm	600	600	600
Overall Length to Fork Face	L mm	3507	3568	3647
Truck Overall Width	W mm	2108	2108	2108
Height of Overhead Guard	H mm	2455	2455	2455
Minimum Turning Radius	R mm	3301	3331	3380
Travel Speed, Loaded	km/h	29.6	29.1	28.5
Lifting Speed, Loaded	mm/s	500	490	445
Wheel Base	mm	2250	2250	2250
Engine Models		DB58S	DB58S	DB58S
Rated Power of Engine	kW/rpm	74/2200	74/2200	74/2200
Max Torque	kgf.m/rpm	37/1600	37/1600	37/1600
Displacements	cc	6/5785	6/5785	6/5785
Transmission type		Full Auto	Full Auto	Full Auto
Transmission no. speeds forward/reverse		3/3	3/3	3/3

Sales Model		D50S-5	D60S-5	D70S-5	G50S-5	G60S-5	G70S-5
Rated Load Capacity	kg	5000	6000	7000	5000	6000	7000
Load Center	mm	600	600	600	600	600	600
Overall Length to Fork Face	L mm	3507	3568	3647	3507	3568	3647
Truck Overall Width	W mm	2108	2108	2108	2108	2108	2108
Height of Overhead Guard	H mm	2455	2455	2455	2455	2455	2455
Minimum Turning Radius	R mm	3301	3331	3380	3301	3331	3380
Travel Speed, Loaded	km/h	25	24.5	24	24	23.8	23.6
Lifting Speed, Loaded	mm/s	415	415	415	380	380	380
Wheel Base	mm	2250	2250	2250	2250	2250	2250
Engine Models		DB58S	DB58S	DB58S	G643,G643E	G643,G643E	G643,G643E
Rated Power of Engine	kW/rpm	69/2400	69/2400	69/2400	69/2450	69/2450	69/2450
Max Torque	kgf.m/rpm	33/1600	33/1600	33/1600	31/1400	31/1400	31/1400
Displacements	cc	6/5785	6/5785	6/5785	6/4294	6/4294	6/4294
Transmission type		Power Shift	Power Shift	Power Shift	Power Shift	Power Shift	Power Shift
Transmission no. speeds forward/reverse		2/2	2/2	2/2	2/2	2/2	2/2