

COMBi-ST 3000-4000

The multi-directional, stand-on forklift designed for the safe, space saving and productive handling of long and bulky loads.

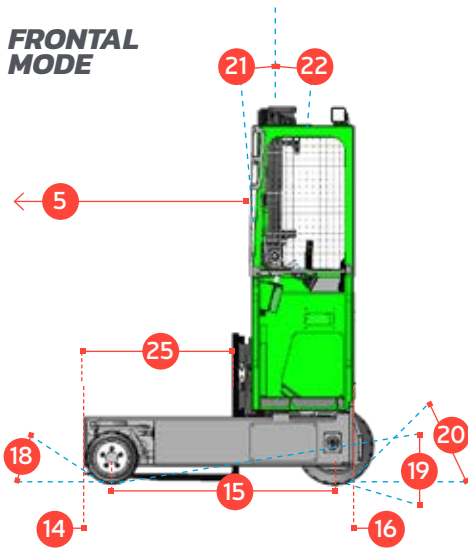
COMBiLiFT

LIFTING INNOVATION

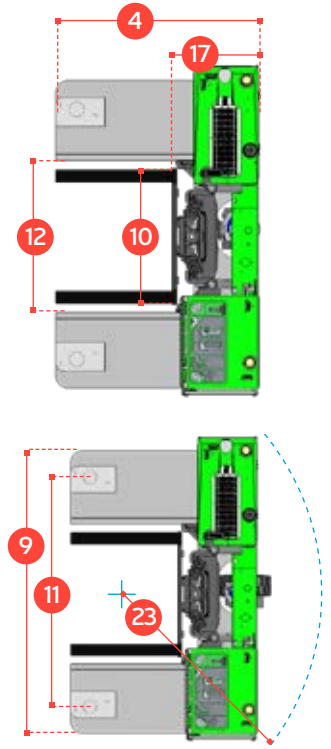
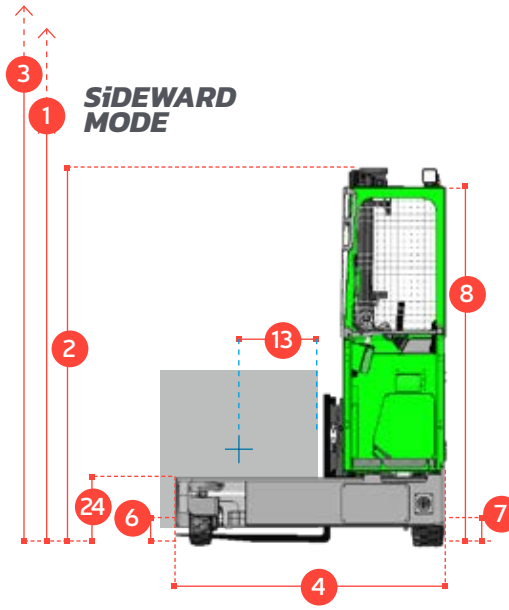


COMBi-ST 3000-4000

FRONTAL MODE

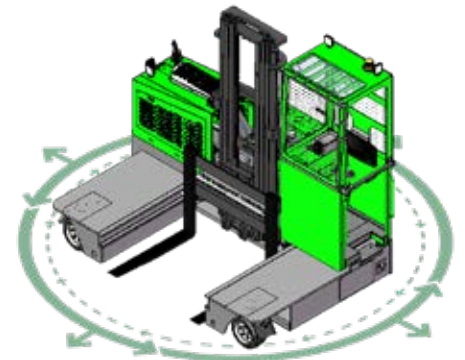


SIWARD MODE



REF.	DESCRIPTION	C3000 ST	C4000 ST
1a	Standard Lift Height	4040mm	
1b	Free Lift Height	0mm	
2	Height Mast Closed	2830mm	3350mm
3	Max. (Mast raised)	5185mm	
4	Overall Length	2000mm	2100mm
5	Mast Travel	1300mm	
6	Ground Clearance Under Mast	230mm	
7	Ground Clearance to Centre of Wheelbase	130mm	
8	Height Over Cab (without work lights)	2660mm	
9	Platform Width	3050mm	
10	Outside Spread of Fork Arms	1350mm	
11	Track Front	2470mm	
12	Frame Opening	1500mm	
13	Load Centre Distance	600mm	
14	Overhang Front	205mm	
15	Wheelbase	1660mm	1760mm
16	Overhang Back	135mm	
17	Length From Face of Fork	800mm	900mm
18	Approach Angle	45°	
19	Ramp Angle	17°	
20	Departure Angle	45°	
21	Forward Tilt	3°	
22	Backward Tilt	4°	
23	Minimum Outside Radius	2420mm	
24	Platform Height	495mm	
25	Platform Length	1200mm	
26	Overall Width	3200mm	
<hr/>			
A	Capacity	3000 kg	4000 kg
B	Unladen Weight	6000 kg	6550 kg
C	Maximum Ground Speed	10 km/h	
D	Gradeability	10%	
E	Kubota V1505- T Diesel	32 kW	
F	3 ltr GM LPG	48 kW	
G	Fork Section	125mm x 50mm x 1200mm	150mm x 50mm x 1200mm
H	16 x 7 – 10.5 Front Tyre (Solid Rubber)	OD 406mm / Width 178mm	
I	23 x 10 – 12 Rear Tyre (Super Elastic)	OD 580mm / Width 240mm	
J	Standard Colour	Green & Grey	

Multi-Directional



Features Include:

- Rubber Mounted Cabin
- Multi-directional Operation
- Load Sensing Steering
- 2 wheel Hydrostatic Drive
- 4-way Lever Positioning of Wheels
- Stand-up Operator

Distributed by:

COMBILIFT HAS A POLICY OF CONTINUOUS PRODUCT DEVELOPMENT AND RESERVES THE RIGHT TO ALTER SPECIFICATIONS WITHOUT PRIOR NOTICE. SPECIFICATIONS AND/OR DIMENSIONS MAY VARY FROM THOSE ILLUSTRATED IN SOME COUNTRIES.